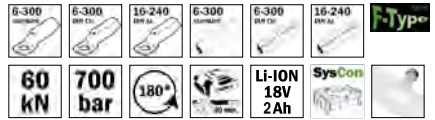




**Battery powered crimping tool**

**Art. 216801-1**



**haupa**

**...convincing solutions**

## 1. Technical data

Area of application:	For the creation of an electrical connection by means of compression
Scope of delivery:	1 crimping tool, 1 charger, 1 battery, 1 carry loop, in plastic case, without pressing dies.
Pressing force:	60 kN
Oil type:	ISO class viscosity 15
Safety:	The tool is fitted with a safety value that has been set at the factory.
Structure:	The working head can be rotated by 180° to make it easier to adapt to the operation to be carried out. The model Art. 216801 does not protect the operator when working on cables that carry power.
Guarantee:	2 year guarantee if used for the purpose it is intended.

## 2. Area of work/Performance characteristics

- Pressing force in kN 60 kN
  - Working pressure in bar: 700
  - Head can be opened
  - Opening / Hub: 17 mm
  - Pressing width: slim
  - Motorstop
  - Crimping range cable lugs: standard Cu 6-300 / DIN Cu 6-300 / DIN Al 16-240
  - Crimping range connectors: standard Cu 6-300 / DIN Cu 6-300 / DIN Al 16-240
  - Pressing time, battery-operated in seconds: 5
  - Battery charging time in minutes: 30
  - Battery type: Li-Ion, 18 V, 2 Ah
  - Weight in kg without batterie: 2,9
  - Weight set in kg with batterie: 7,9
- 
- 6 tonnes of pressing force for maximum performance
  - Motor stop. The feed is stopped immediately the operating switch is released.  
No post-travel of the piston
  - 180 degree rotating crimping head. Can thus be mounted even in places that are difficult to access
  - Manual return enables shorter process cycles and saves battery capacity
  - The manual return enables the operator to bring the piston back to the starting point in the event of a faulty pressing.
  - After the pressing is completed, the device operates in idle.  
(If the compression is not completed, manual return of the piston on the return operation button is "very perceptibly" more difficult)
  - The two button operation ensures logical, simple and quick single-handed operation.
  - The tool is supplied with 1 Li-Ion battery 18 V, 2 Ah and a quick charger.
  - Area of application in accordance with the available pressing dies
  - (max. 300 mm<sup>2</sup> DIN tube terminals or 300 mm<sup>2</sup> F-Type notch-type cable keys for cable class 5/6).

### 3. Operating instructions

CAUTION! TOOLS MAY NEVER BE USED WITHOUT FIRST INSERTING THE PRESSING DIES.

Ensure that the pressing dies fit precisely to the appropriate area and are seated perfectly in the holders.

OTHERWISE THIS MAY CAUSE SERIOUS DAMAGES OR BREAKAGES AND THE GUARANTEE WILL BE VOIDED.

#### Preparation

Before starting up the tool, read the operating instructions first.

All current-carrying elements in the area you are working in should be disconnected.

Otherwise the protective procedures for working in the vicinity of components under current must be implemented. (DIN EN 50110)

Do not use the tool if you are tired or under the influence of medication, drugs or alcohol.

Take into account the valid accident prevention and safety regulations and use the tool exclusively for the purpose for which it is intended.

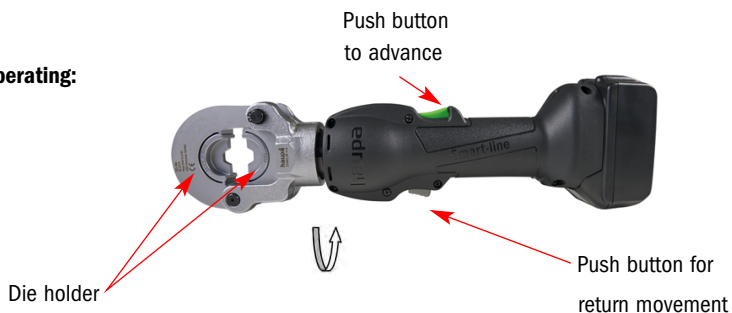
Only electro-technically trained persons over 16 years of age may process connecting materials using the tool.

The operating instructions must always be carried with the tool.

The instructions must have been read and understood by the user.

The operator must ensure that this is the case.

## Operating:



- Select the required pressing die.
- Never use a crimping tool without pressing dies!
- The pressing procedure can be stopped at any time by releasing the actuation switch.
- No components under power may be compressed.
- The tool is not insulated!
- The tool is not designed for permanent use.
- After 35 - 45 compression actions carried out one after another, you must take a break of 10 to 15 minutes to allow the tool to cool down.
- If it is heated too high, this may cause damages to the tool.
- Do not use under water or when it is raining.
- Please observe the processing notes for the relevant connection materials as detailed in our catalogue.

## Mounting and unmounting the battery

### Charger specifications

Model Nr.:	215527
Input:	100 - 240 V AC
Frequency:	50 / 60 Hz
Output V:	21 V
Output A:	1 A
Weight:	0,164 kg
Measurements:	92 mm (L) x 47 mm (B) x 45 mm (H)

Charger:



Connecting battery to charger:



215523 (2 Ah)



215525 (4 Ah)



### 2 Ah Battery Specifications

Model Nr.:	215523
Voltage:	18 V
Weight:	0,35 kg
Measurements:	114 mm (L) x 73,5 mm (B) x 67 mm (H)
est. Charging Time:	approx. 30 Min
Capacity:	2 Ah

### 4 Ah Battery Specifications

Model Nr.:	215525
Voltage:	18 V
Weight:	0,58 kg
Measurements:	114 mm (L) x 73,5 mm (B) x 67 mm (H)
est. Charging Time:	approx. 60 Min
Capacity:	4 Ah

LED charge indicator: (Pressing the button will light up LEDs)



***HAUPA is not liable for wrong or unintended use***

**Please remove the battery after use and keep it removed when storing the tool!**

## 5. Care and maintenance

### Cleaning

- Careful cleaning of the tool, in particular, the moving parts contributes towards a longer useful life. Remember that dust, sand, environmental influences, in particular a high salt index, and dirt in general are extremely damaging to hydraulic tools.
- Particular care should be taken when cleaning the pump drive piston and the piston. The tiniest of contaminations may scratch the walls of the cylinder and damage the leak-proof seals. For the correct cleaning of the piston, we recommend extending the piston and then cleaning it with a high-quality, non-corrosive solution.

### Power switch

Check to see whether the switch on the machine automatically pops out again when you release it.

### Storage

To prevent damage to the tool as a result of bumps, dust etc. you should if possible store the tools in the original packaging.

### Guarantee:

2 year guarantee when used for the purpose it is intended when the annual maintenance intervals are maintained by an authorised HAUPA service centre. We reserve the right to rework the product.

### Faults:

Loss of oil:

Send to the HAUPA service centre. Do not open!

### Disposal:

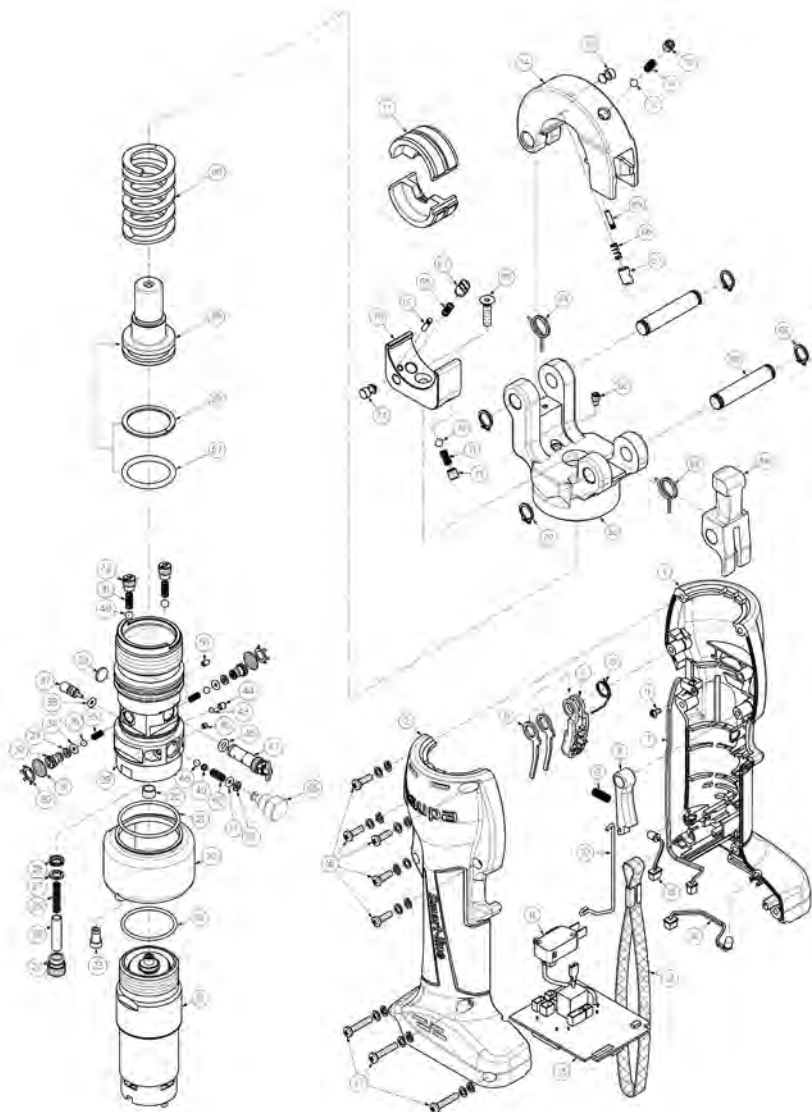
...in accordance with the scope of validity of the European WEEE (2002/96/EU) and RoHS directives (2002/95/EU). Batteries must be disposed off separating according to the battery directive.

WITH EVERY REPLACEMENT PART ORDER, INCLUDE THE FOLLOWING INFORMATION:

- 1) Article number.
- 2) Article description.
- 3) Reference to the operating instructions and/or date.
- 4) Tool type.
- 5) Serial number of the tool.

The guarantee is voided if you use parts that are not original replacement parts from HAUPA.

Exploded assembly drawing art. art. 216801-1







# EC declaration of conformity

## HAUPA factory certificate

**Remscheid, 01.03.2018**

Product: Battery hydraulic crimping tool  
Product range: Around the cable  
Art. no.: 216801-1

Note: A correct connection according VDE 0220 Part 2 is only guaranteed if the user work with Haupa cable lugs and also adequate HAUPA pressing tools.

The tools are not isolated and it is forbidden to work under tension.

HAUPA GmbH & Co.KG, Königstr. 169, 42853 Remscheid, Germany  
Phone +49 2191 8418 - 0, Fax +49 2191 8418 - 840

Herewith we declare that the above mentioned tools are manufactured according the following guidelines:

CE guidelines 98/37/EEC, 89/336/EEC

Jens-Ole Paas  
Qualitätsmanagement

Jochem Husli  
Produktmanagement

